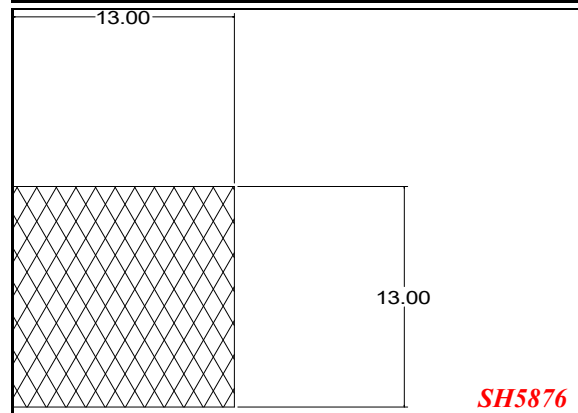
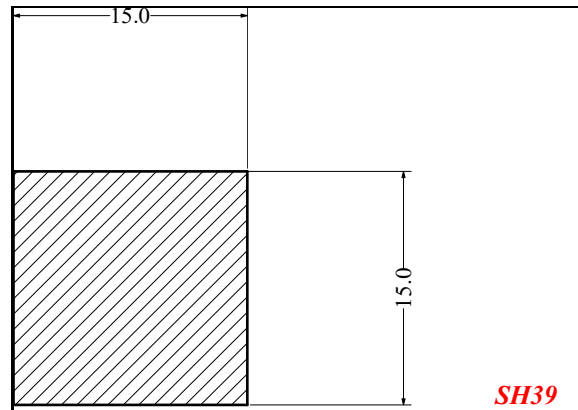
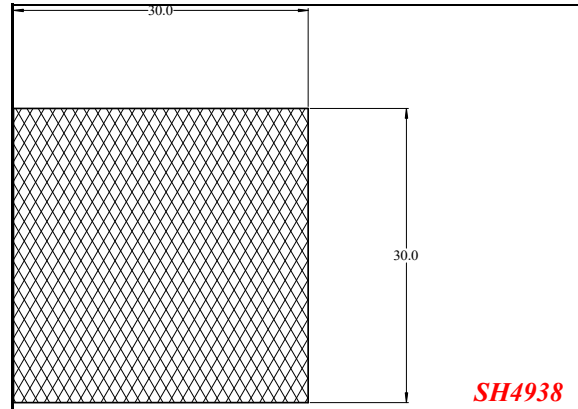
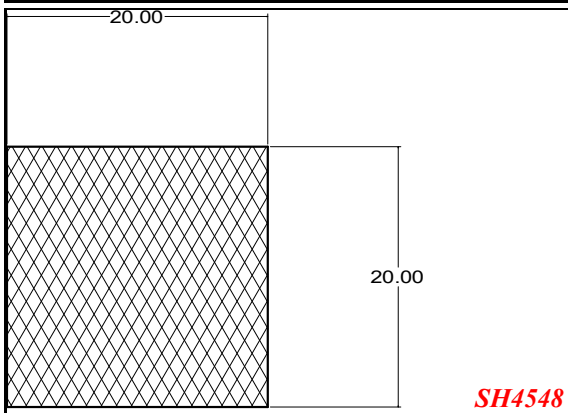
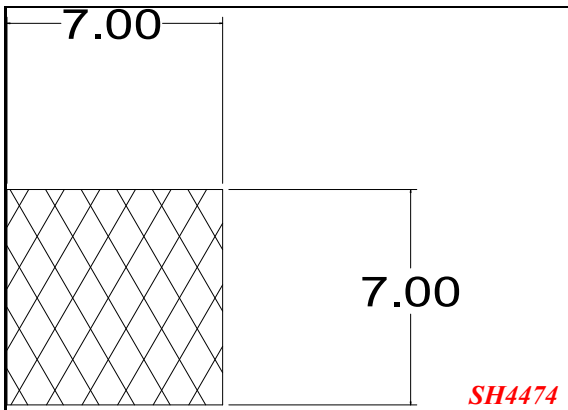
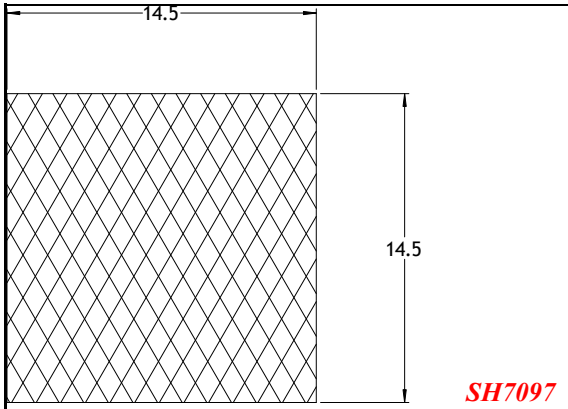
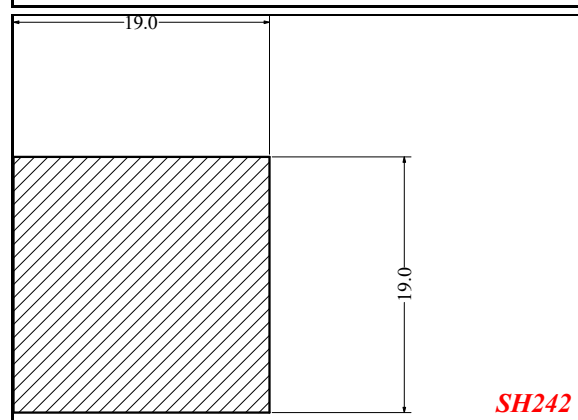
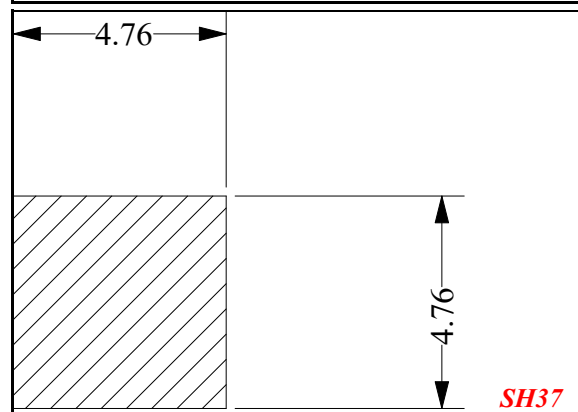
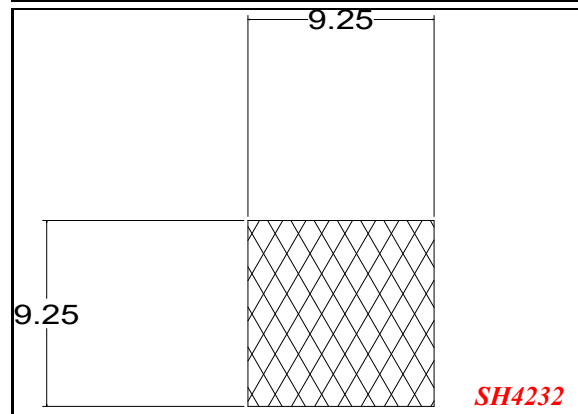
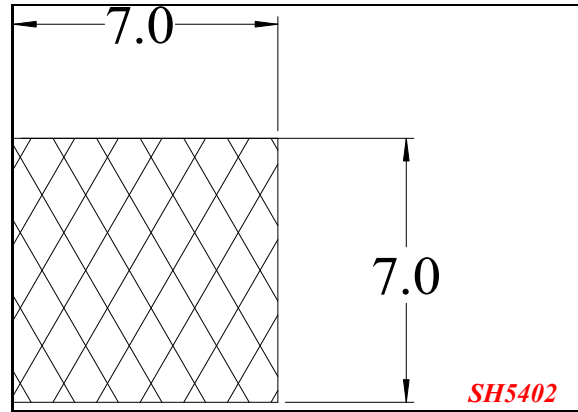
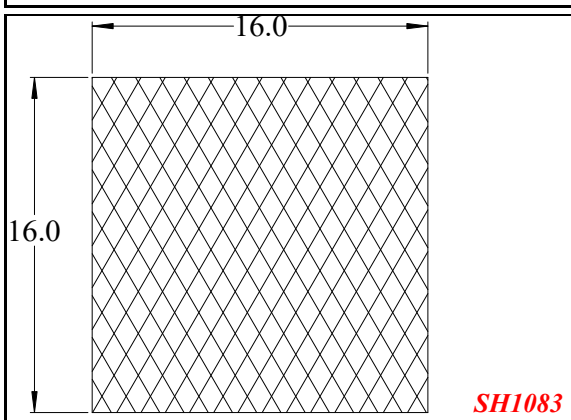
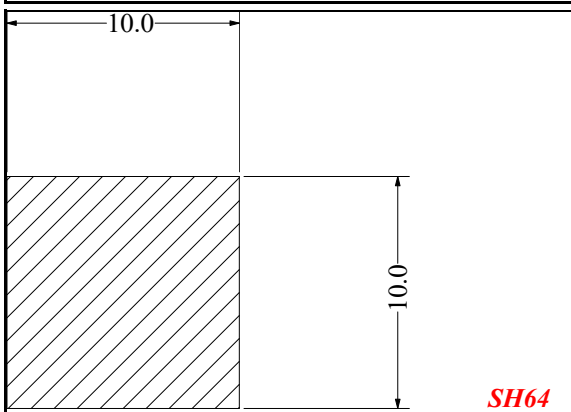
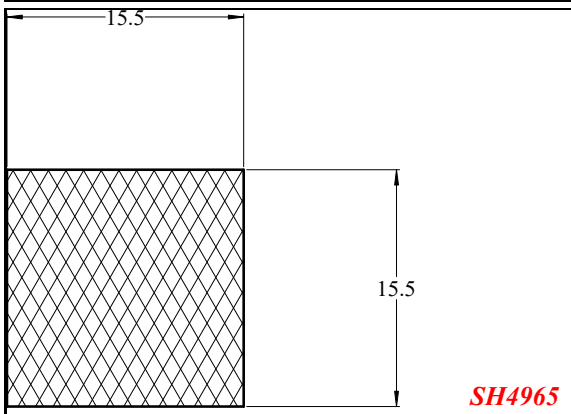
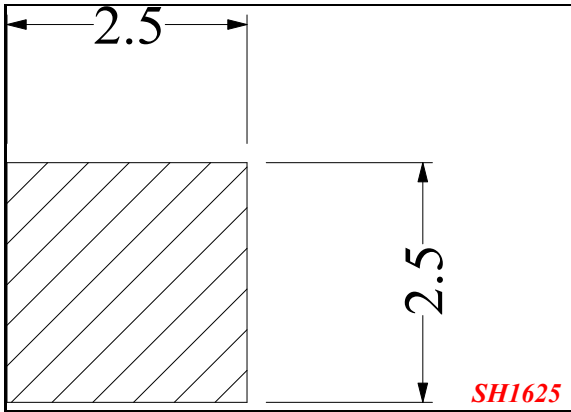


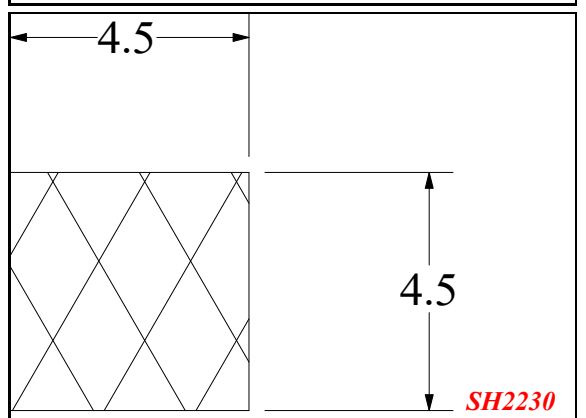
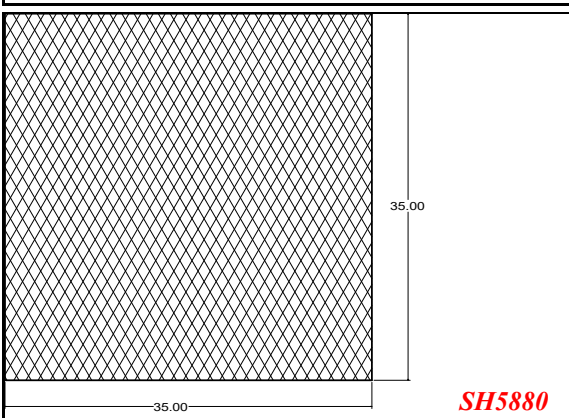
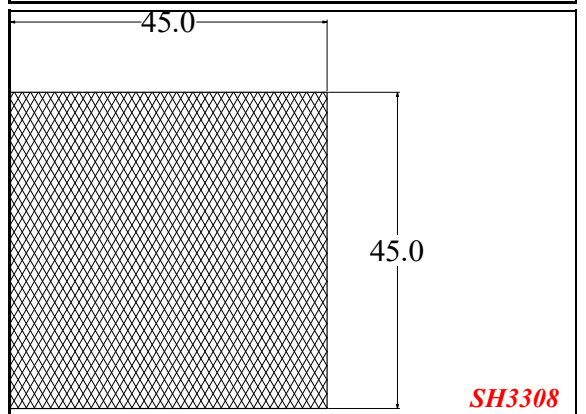
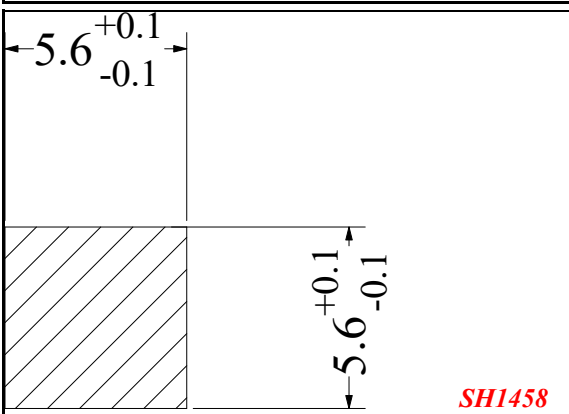
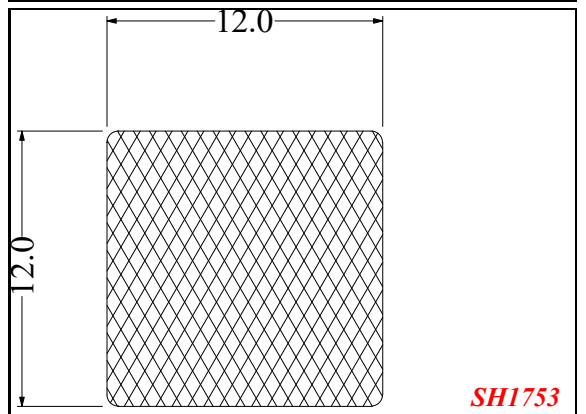
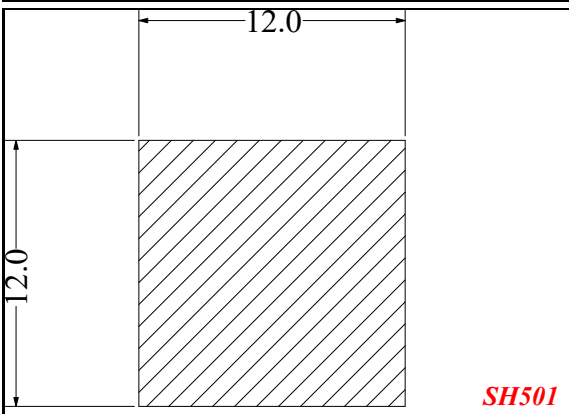
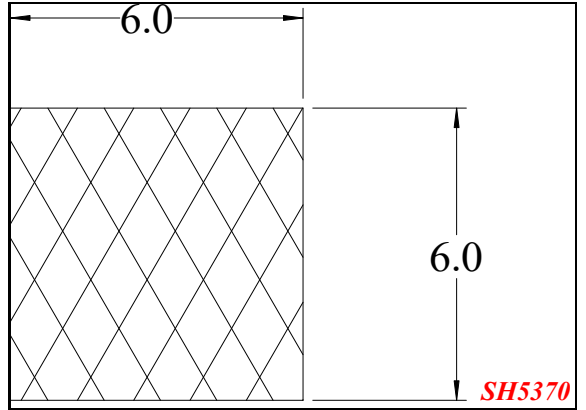
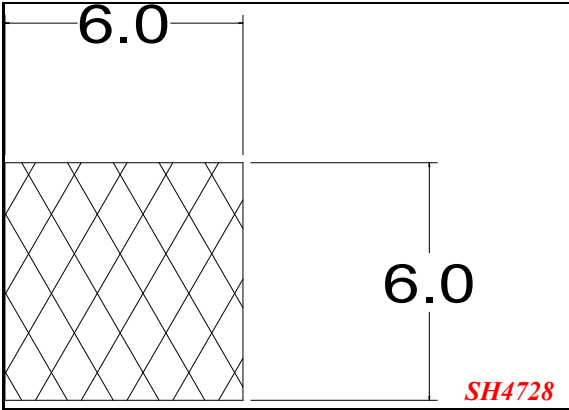
*Square*



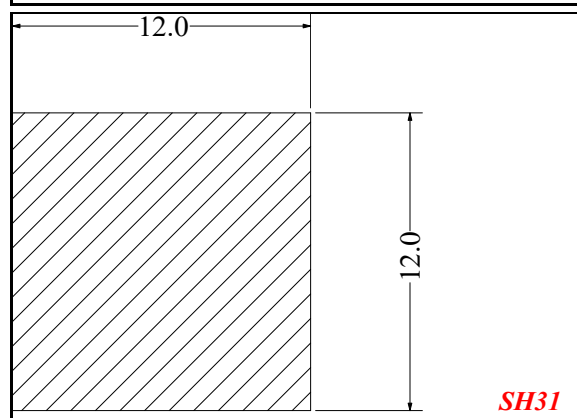
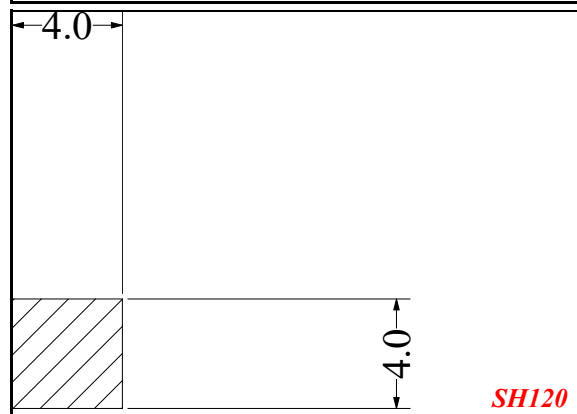
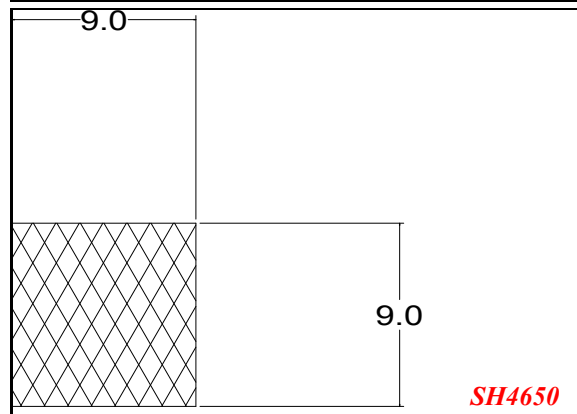
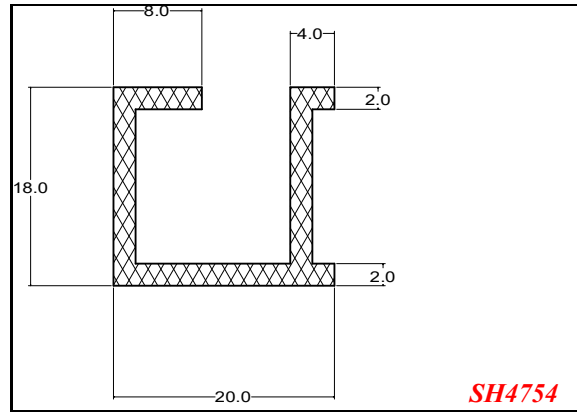
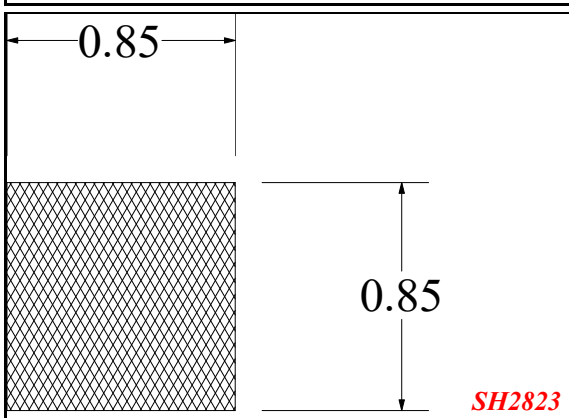
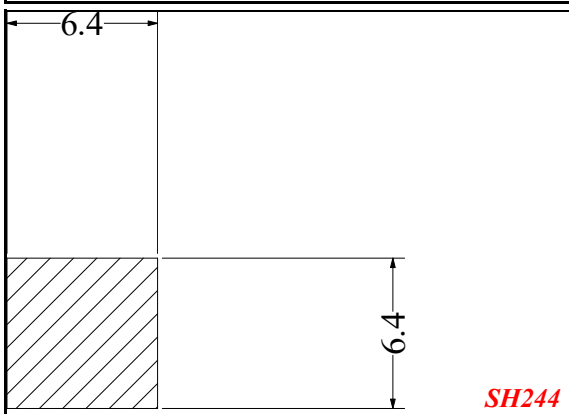
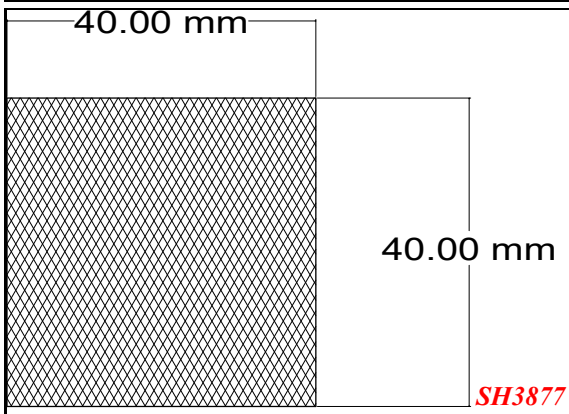
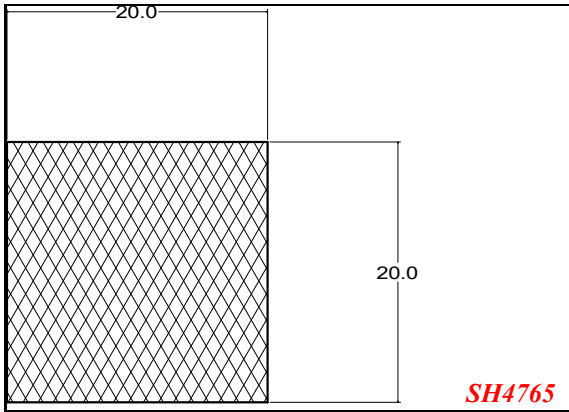
Square



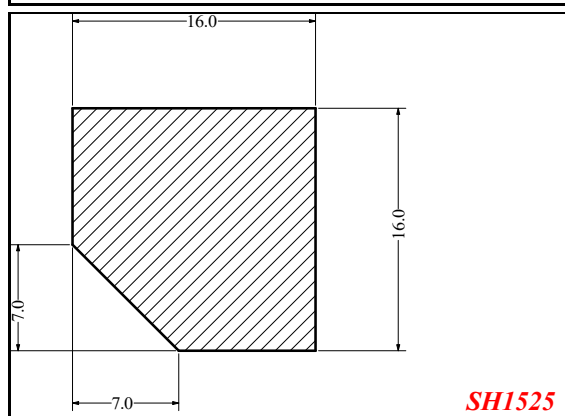
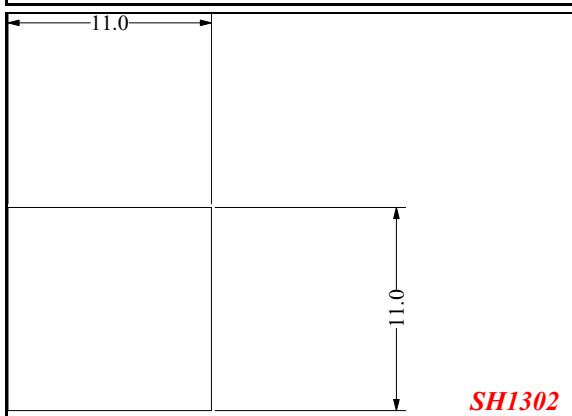
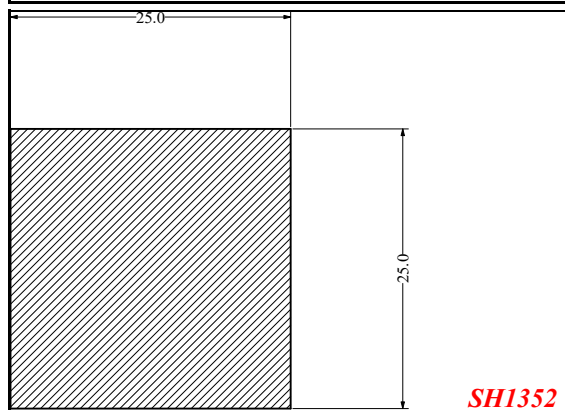
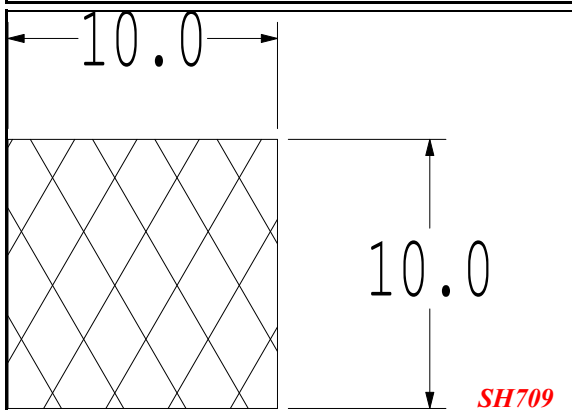
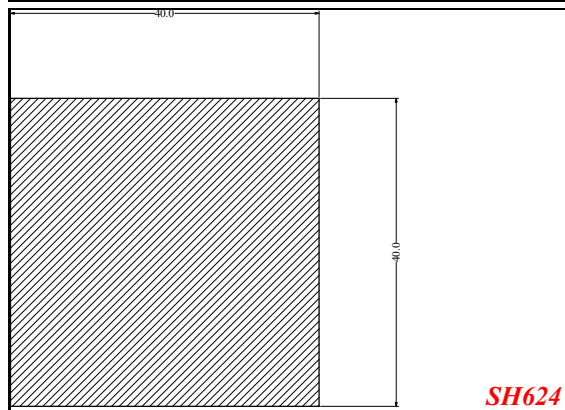
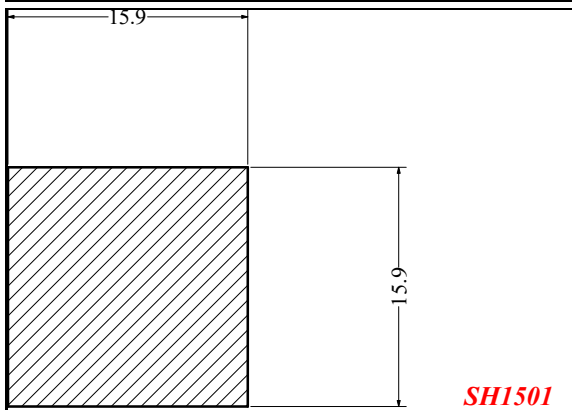
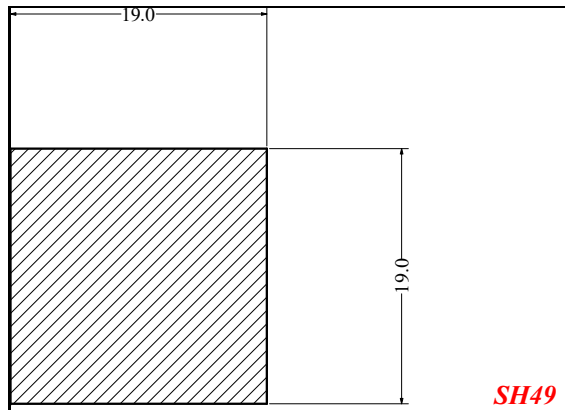
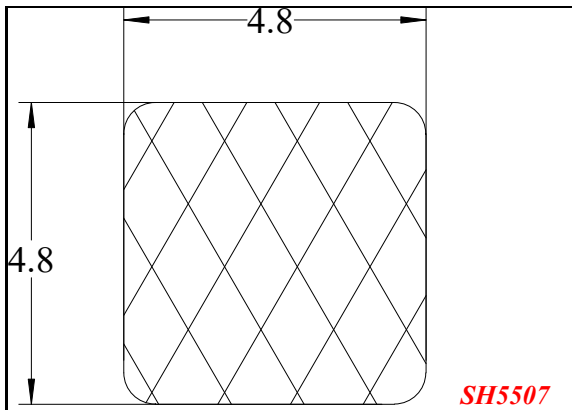
Square



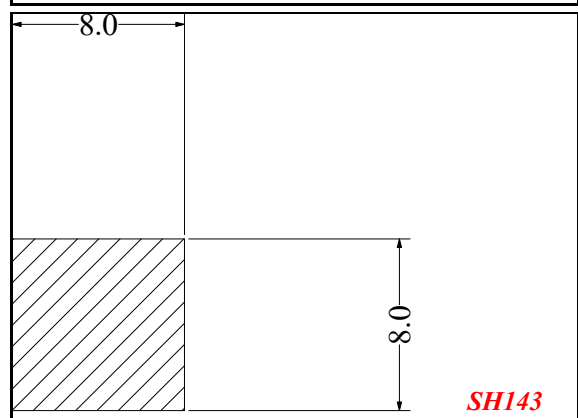
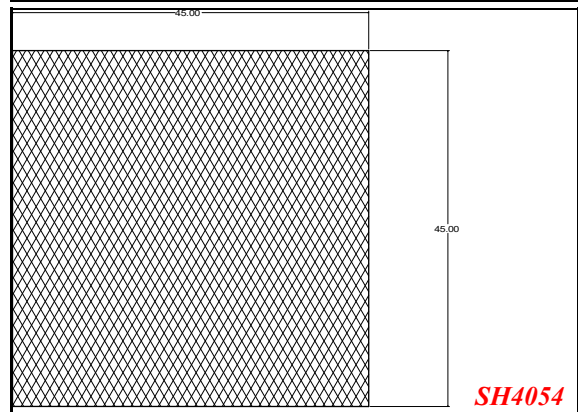
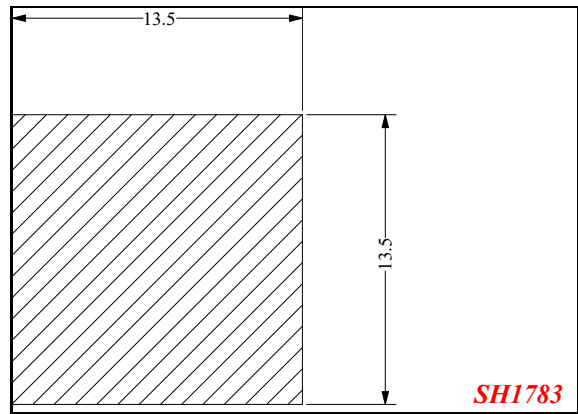
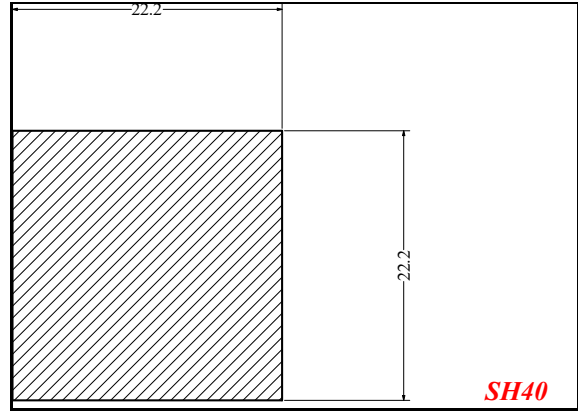
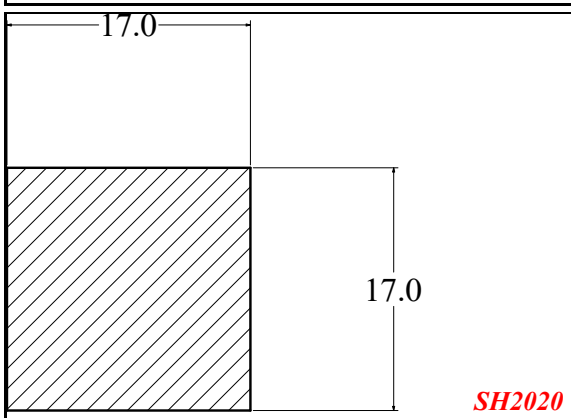
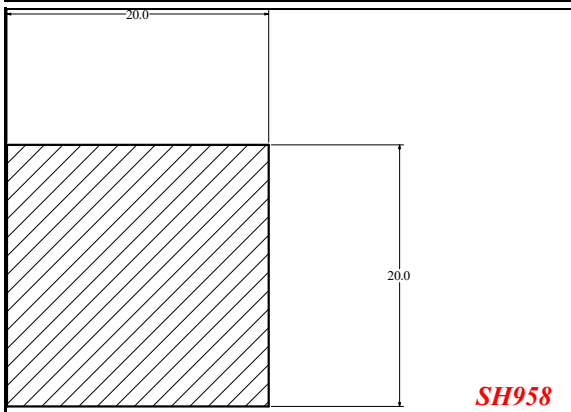
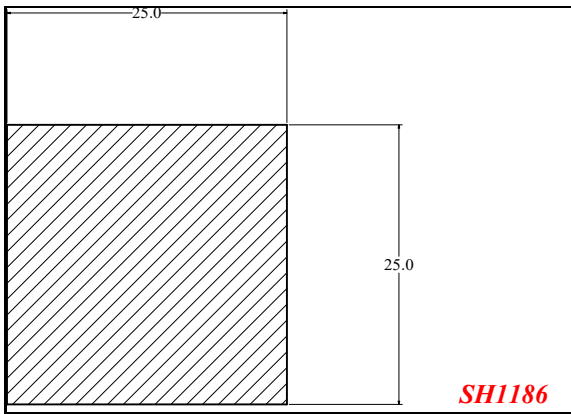
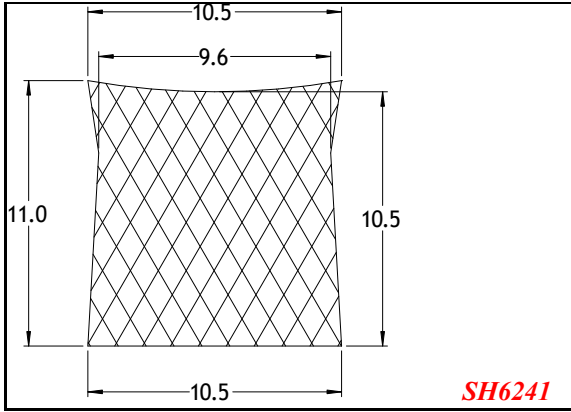
Square



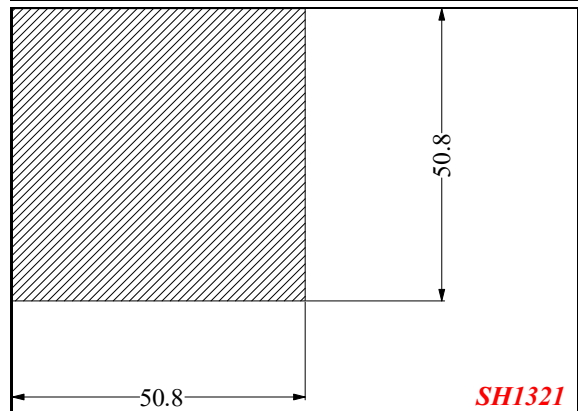
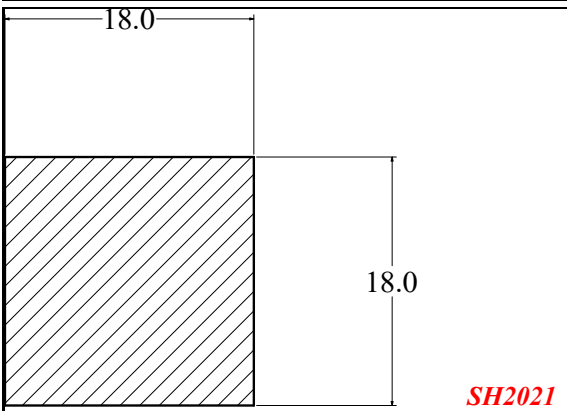
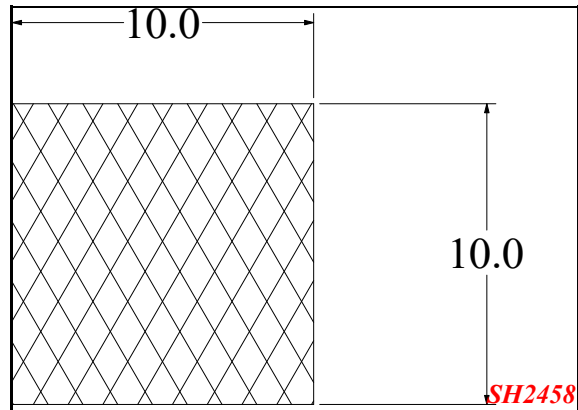
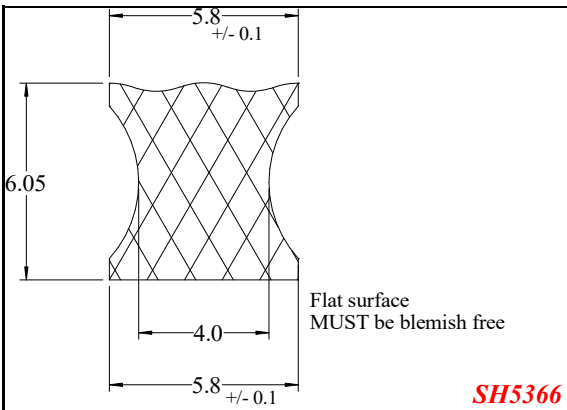
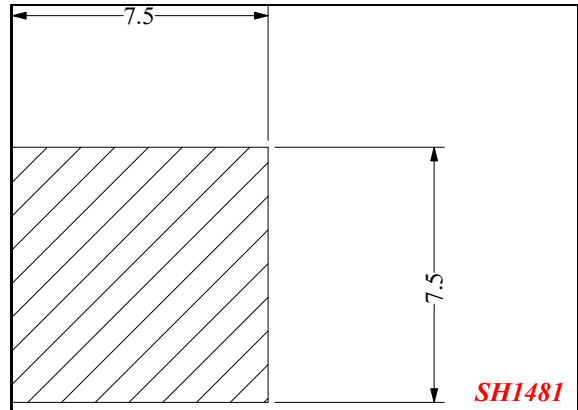
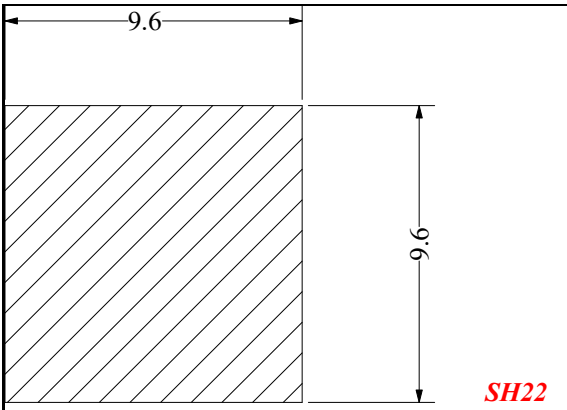
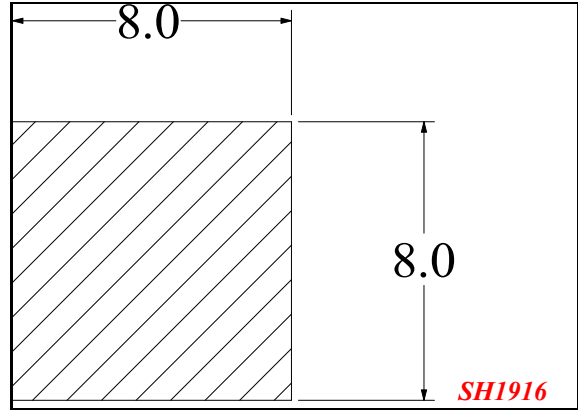
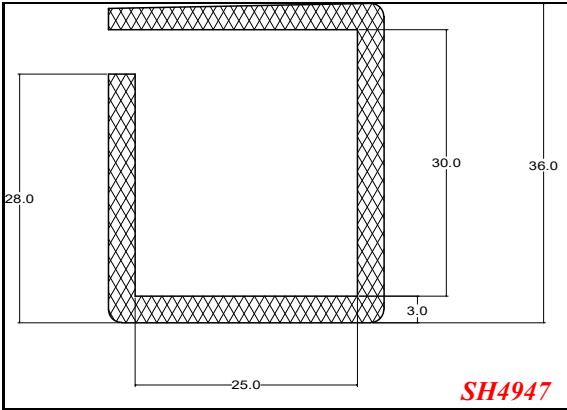
Square



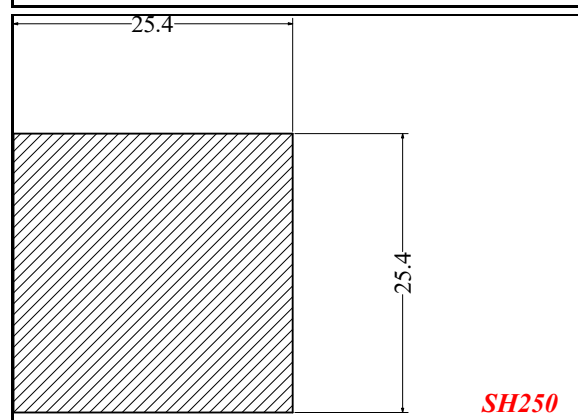
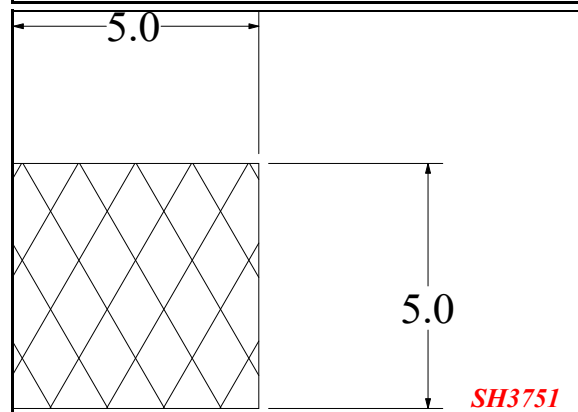
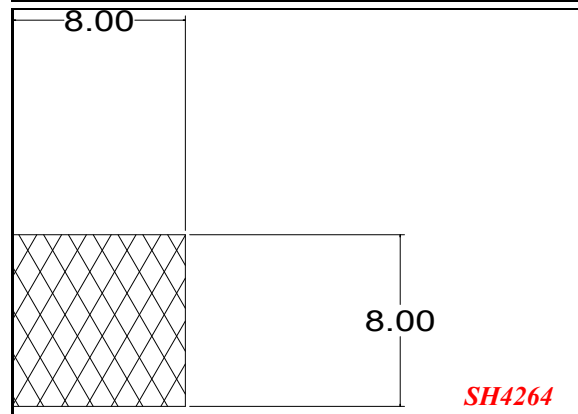
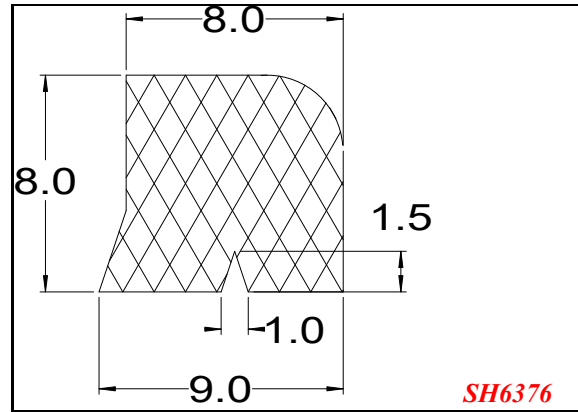
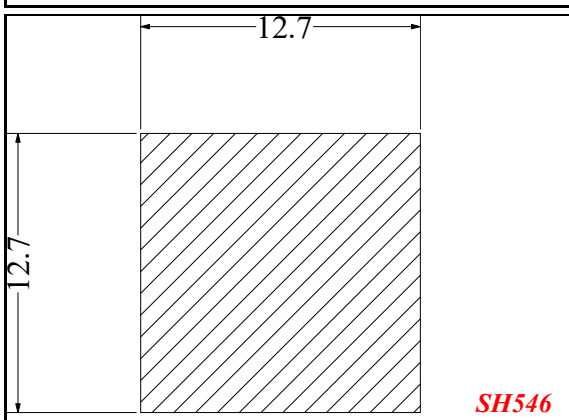
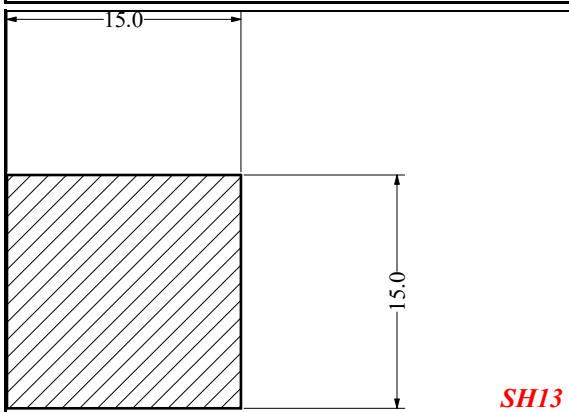
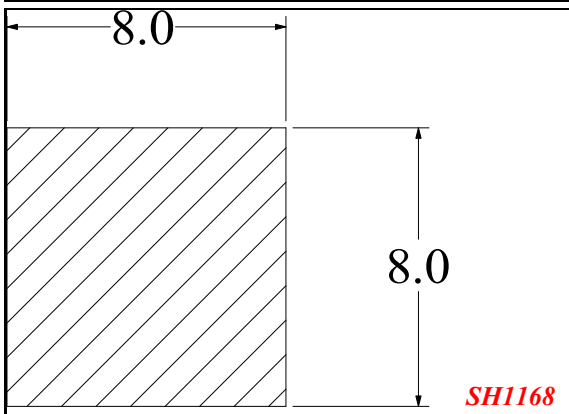
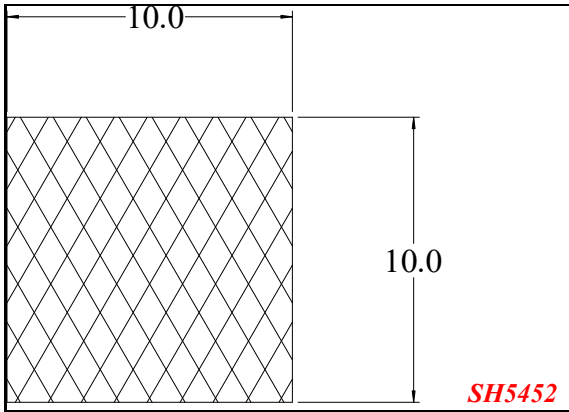
Square



Square

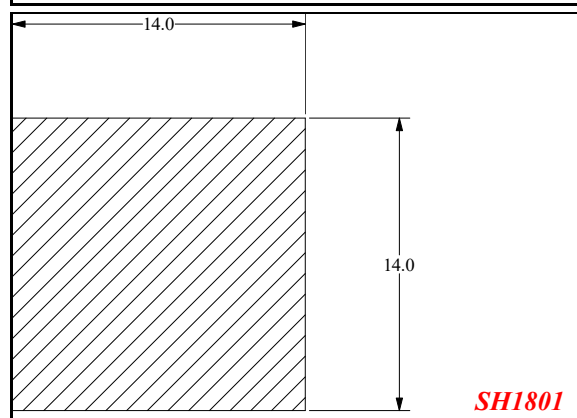
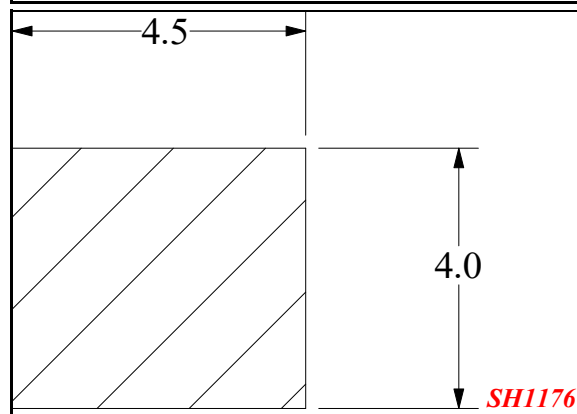
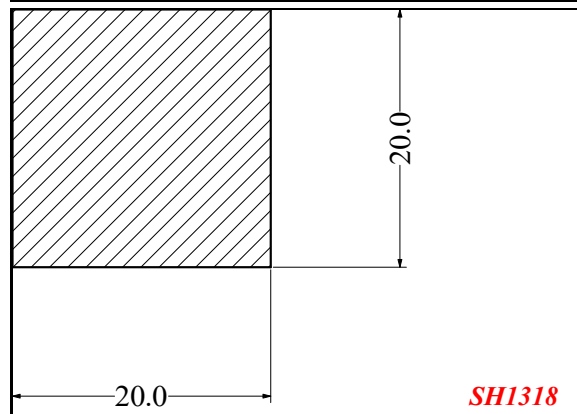
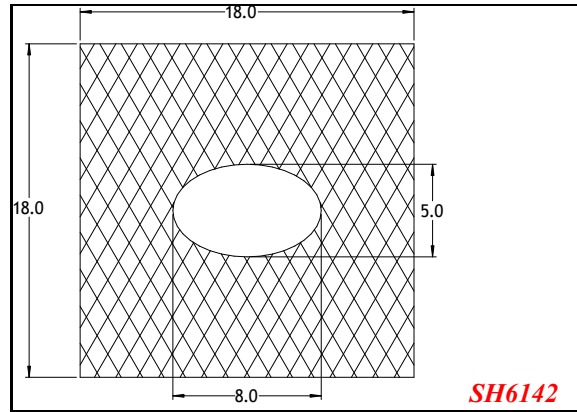
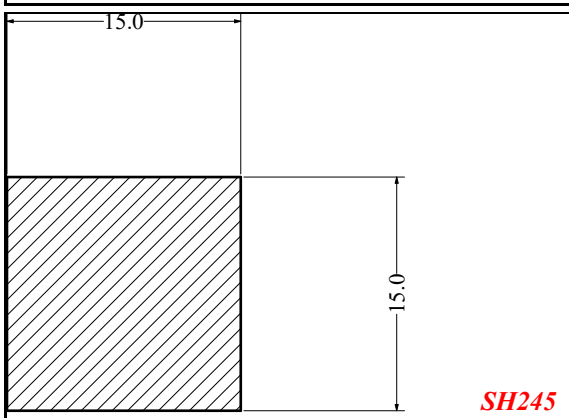
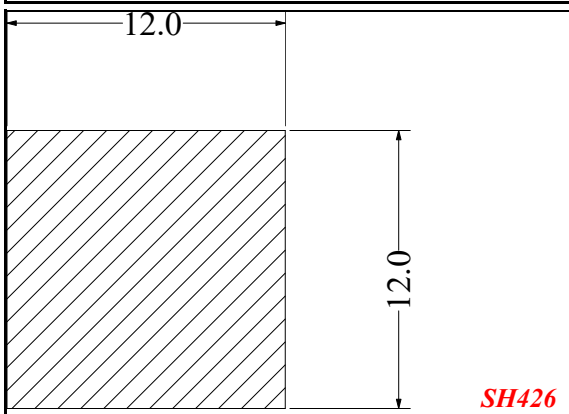
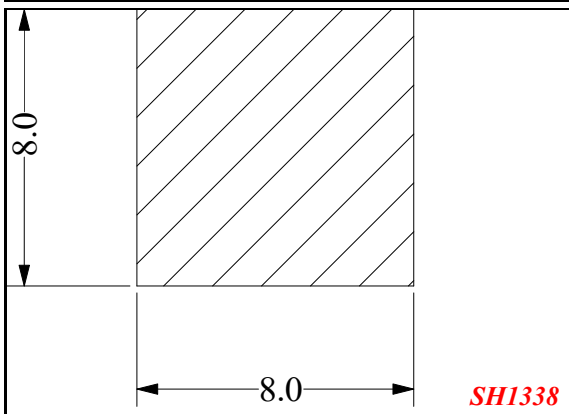
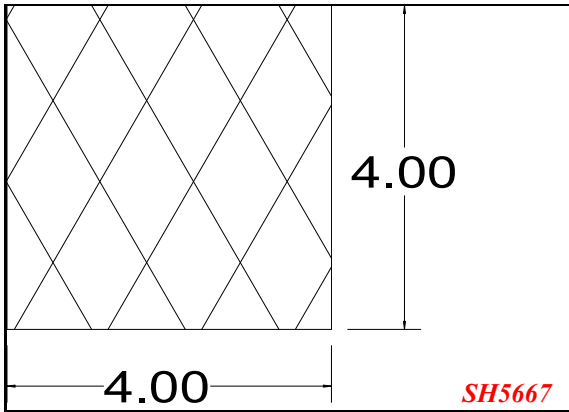


Square





Square



Square

