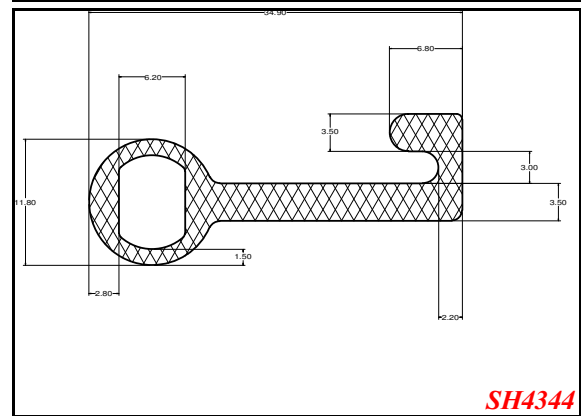
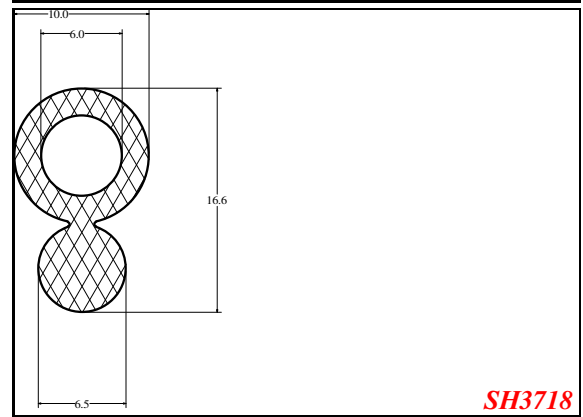
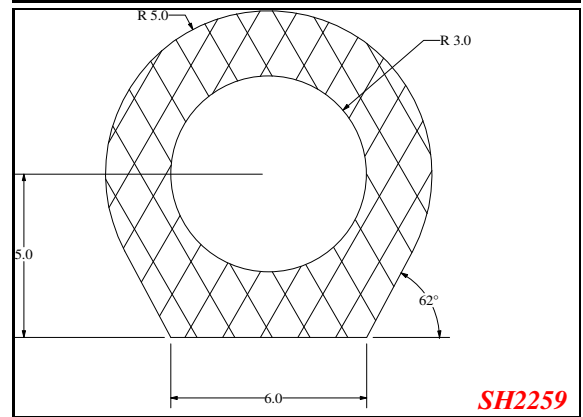
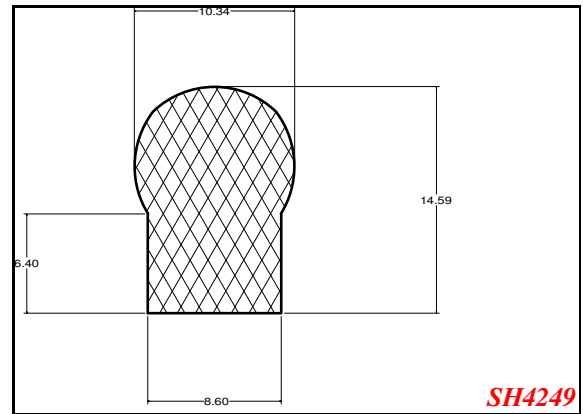
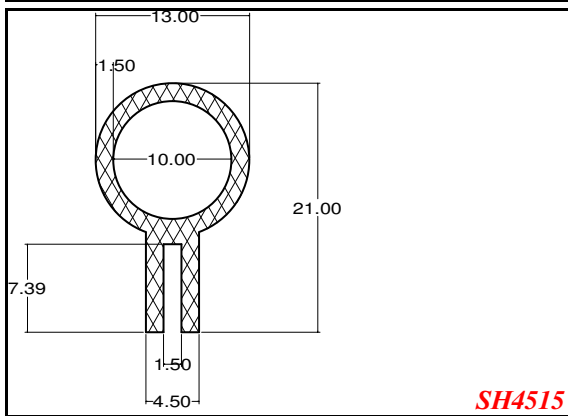
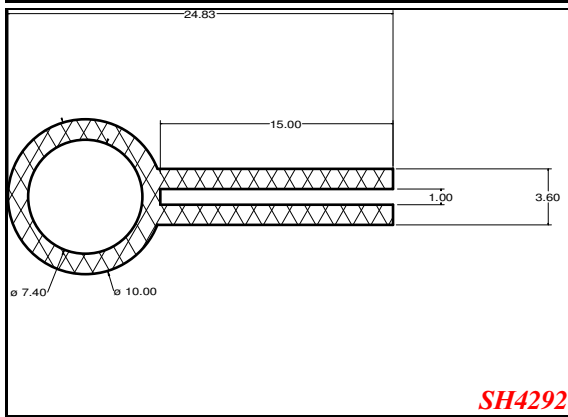
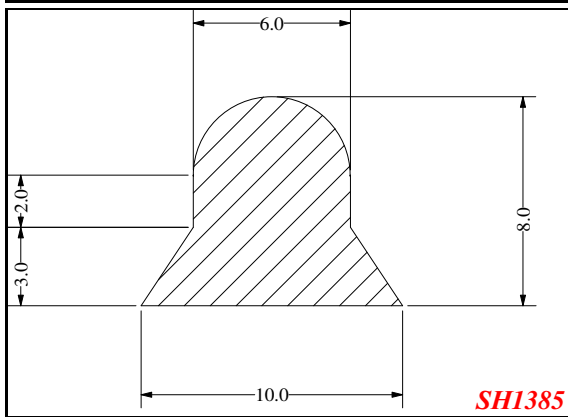
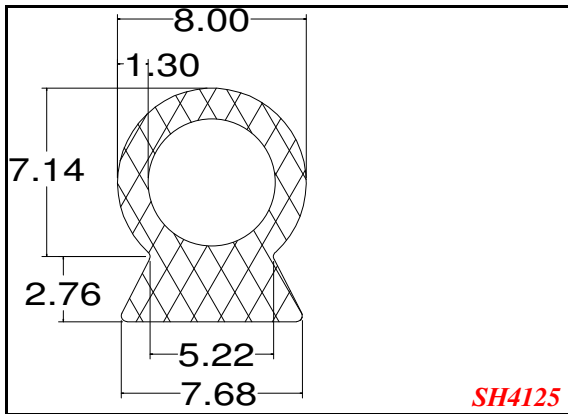
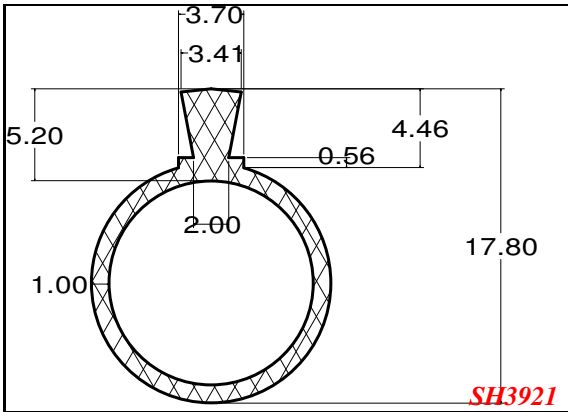


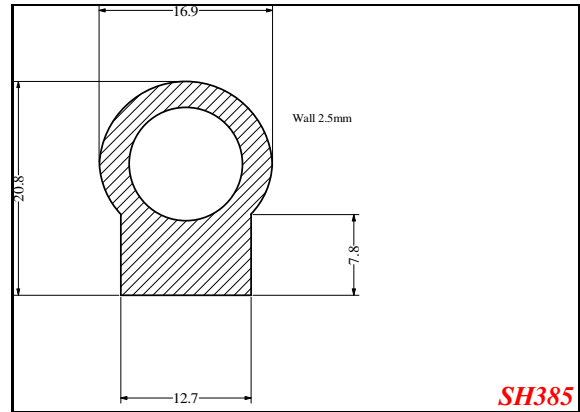
Key-Hole



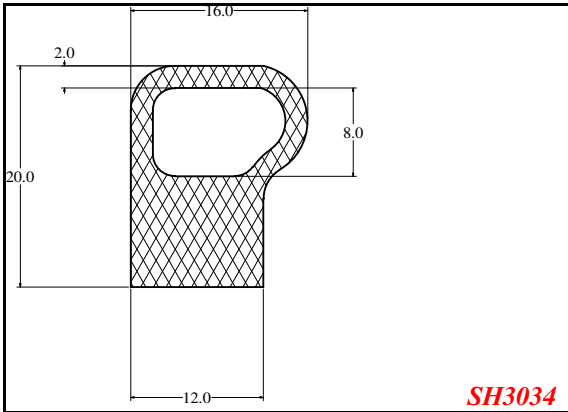
Key-Hole



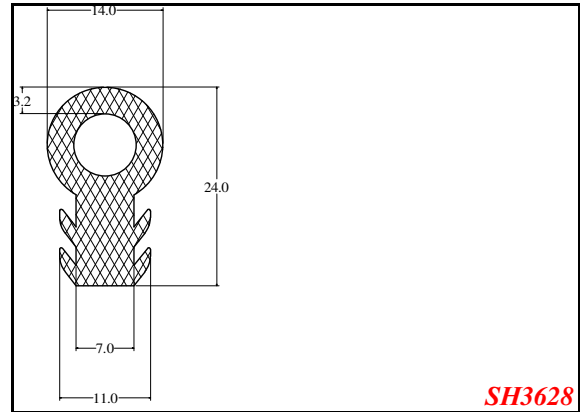
SH3921



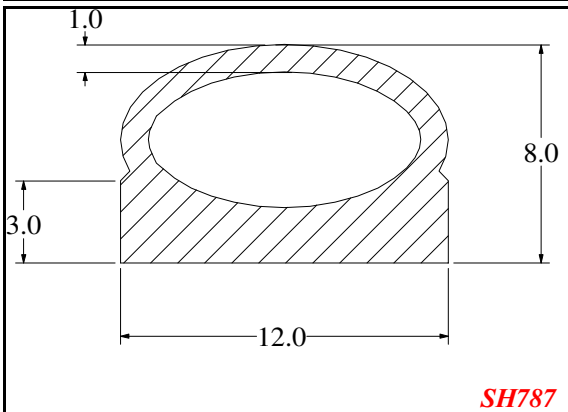
SH385



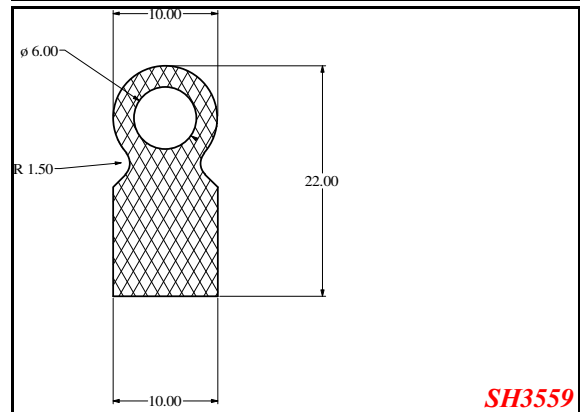
SH3034



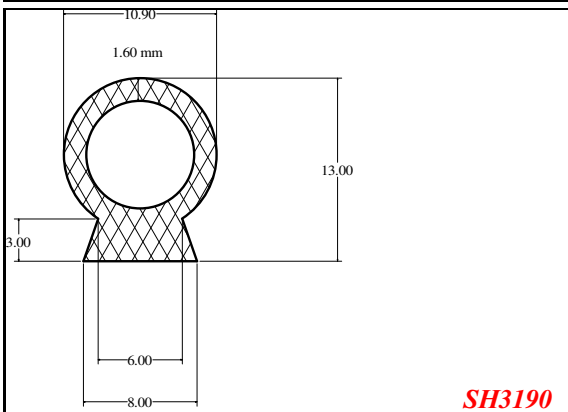
SH3628



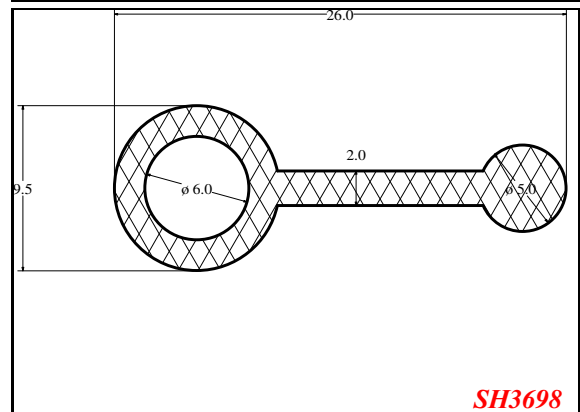
SH787



SH3559

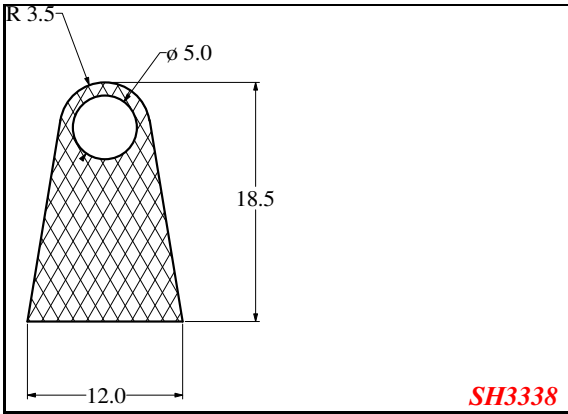


SH3190

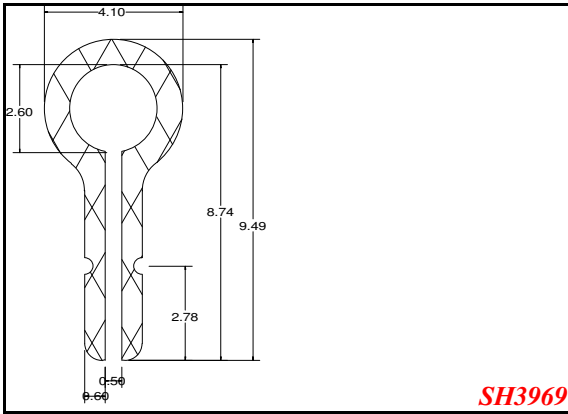


SH3698

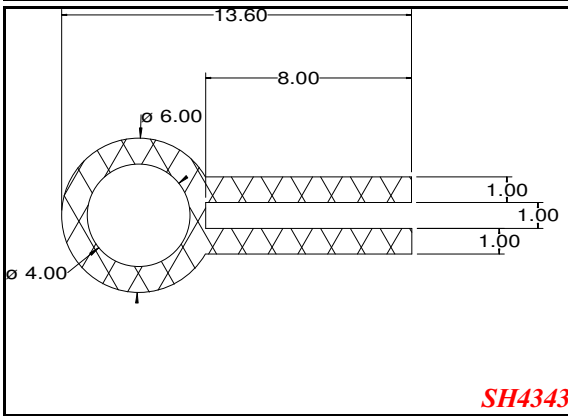
Key-Hole



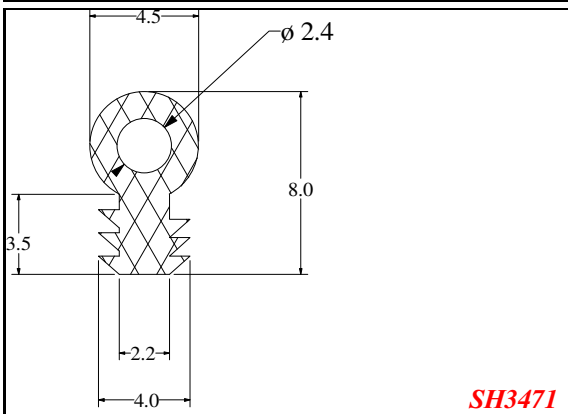
SH3338



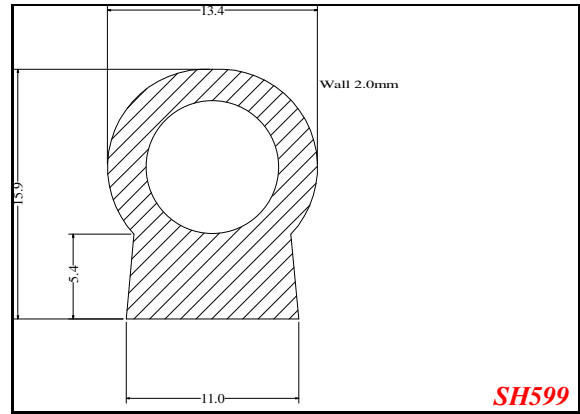
SH3969



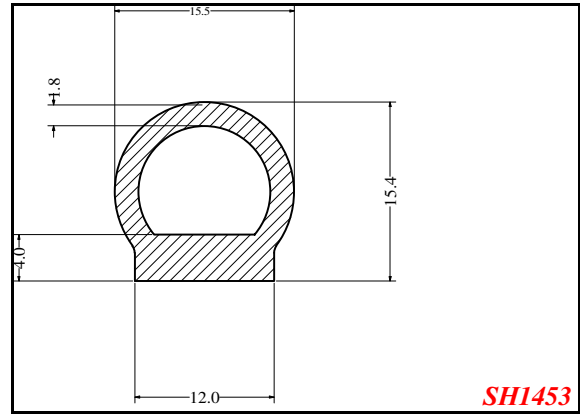
SH4343



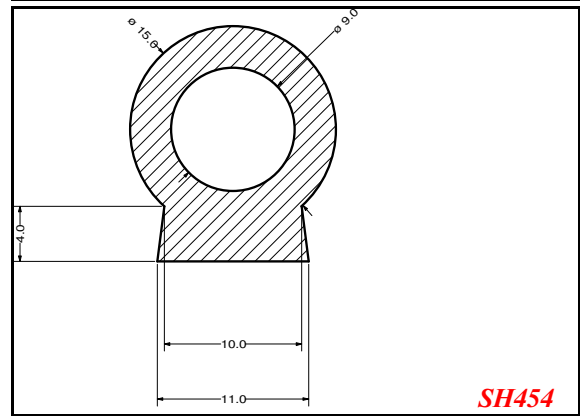
SH3471



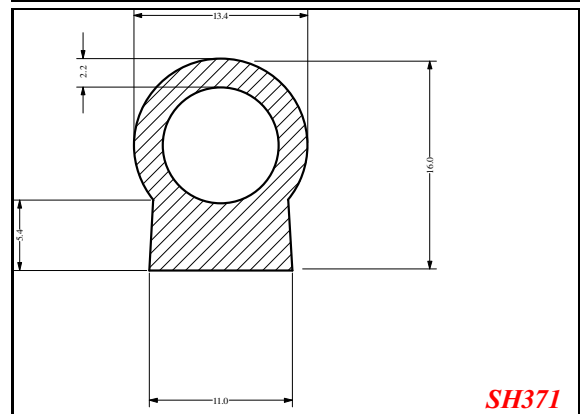
SH599



SH1453

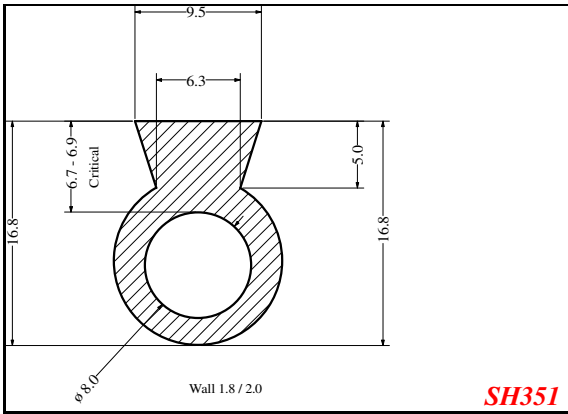


SH454

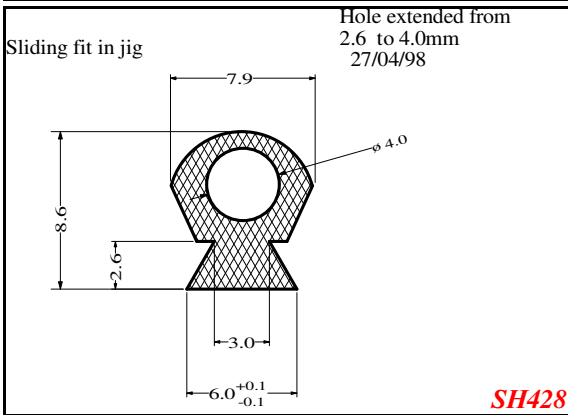


SH371

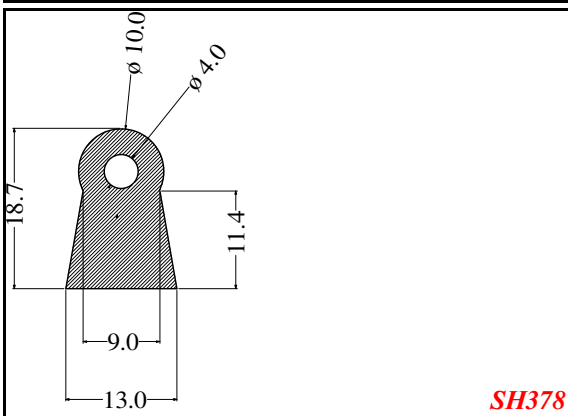
Key-Hole



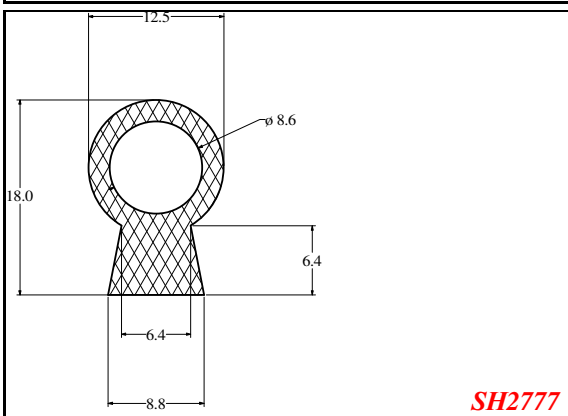
SH351



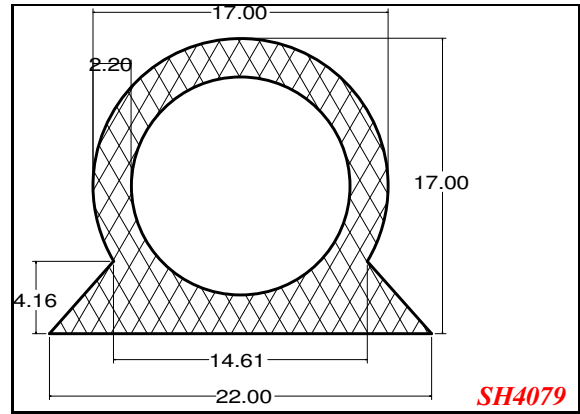
SH428



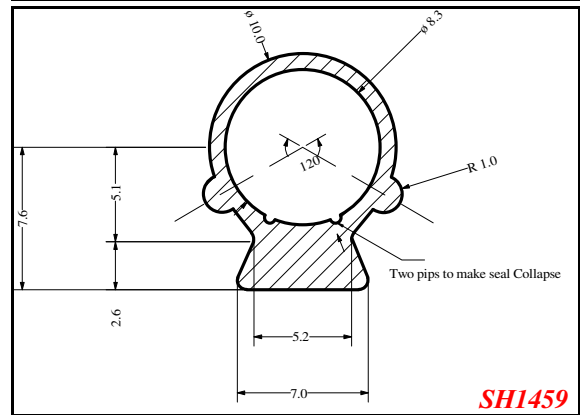
SH378



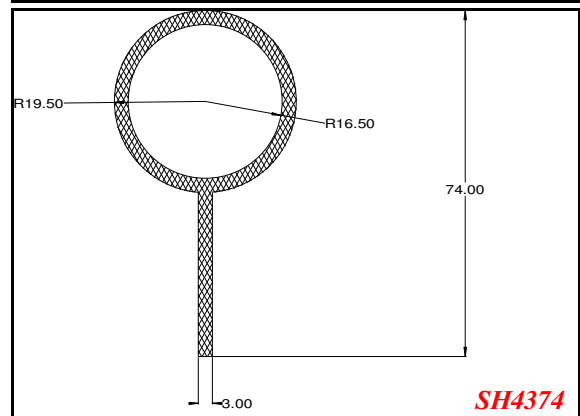
SH2777



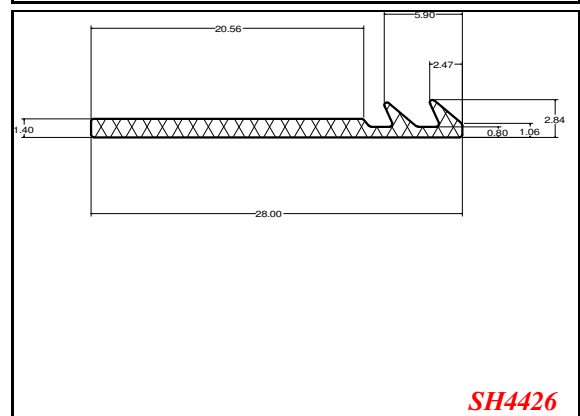
SH4079



SH1459

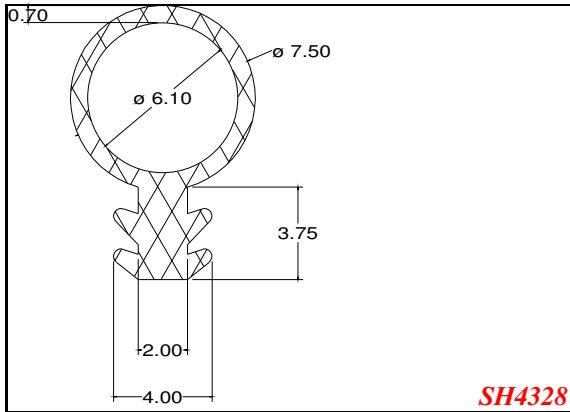


SH4374

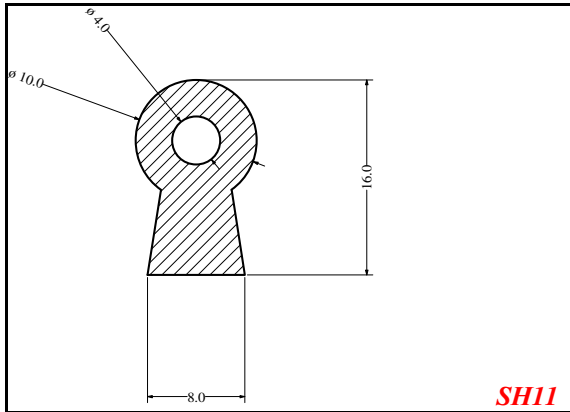


SH4426

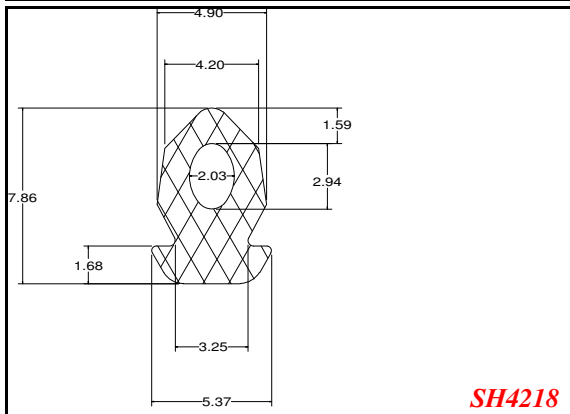
Key-Hole



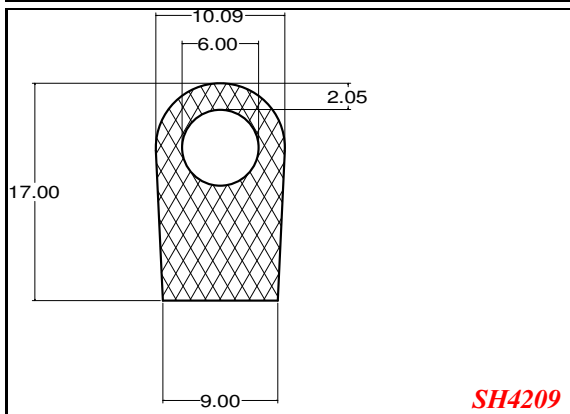
SH4328



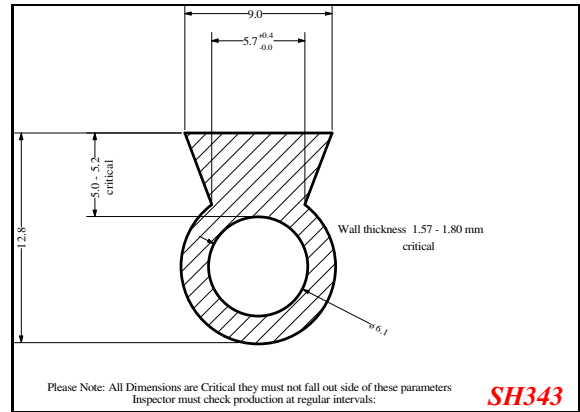
SH11



SH4218

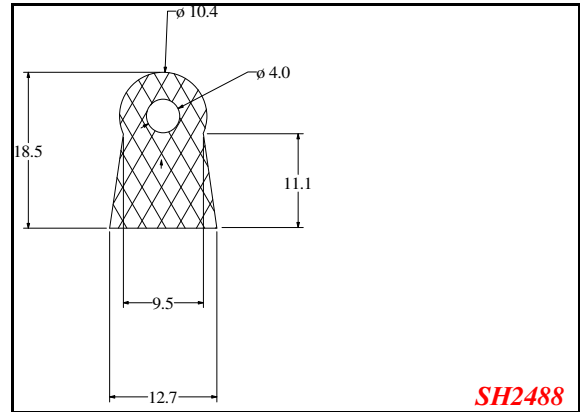


SH4209

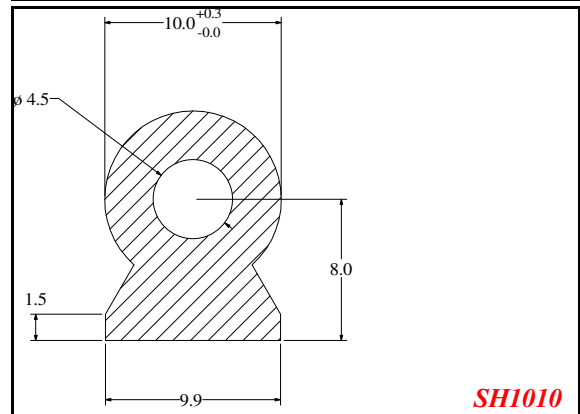


Please Note: All Dimensions are Critical they must not fall out side of these parameters
Inspector must check production at regular intervals:

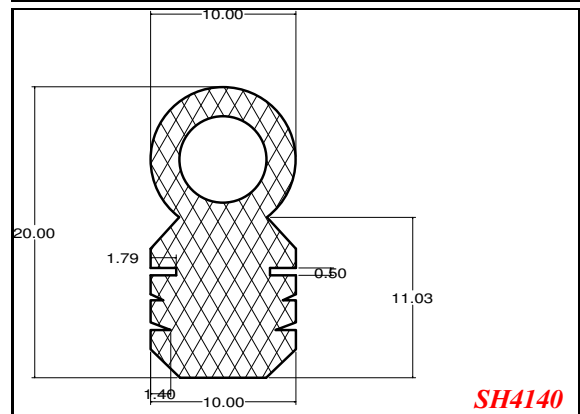
SH343



SH2488

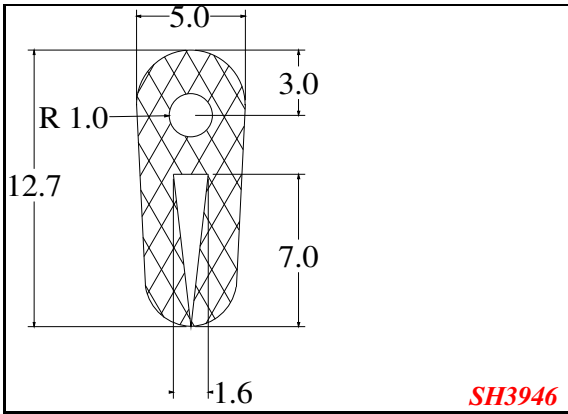


SH1010

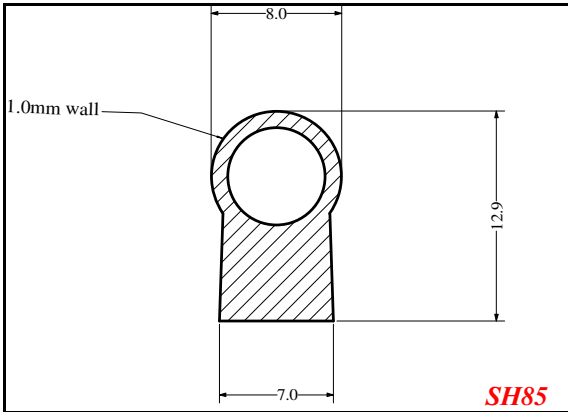


SH4140

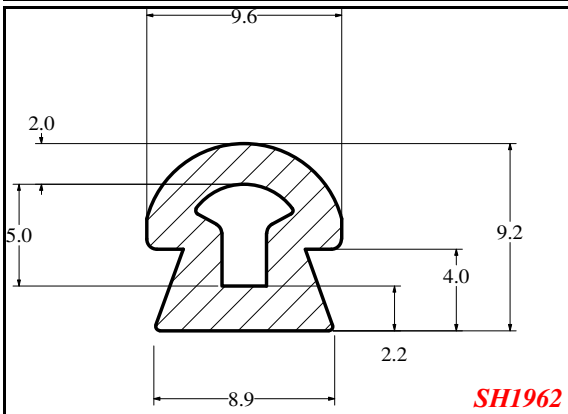
Key-Hole



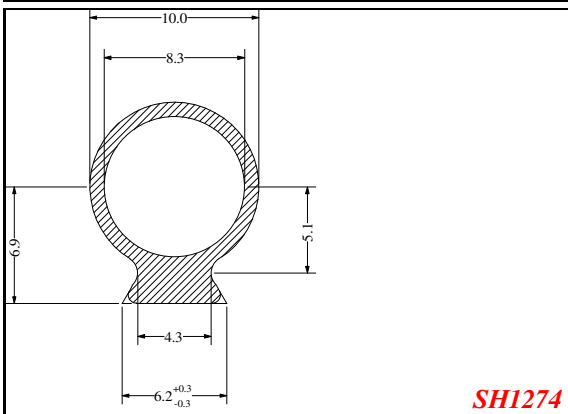
SH3946



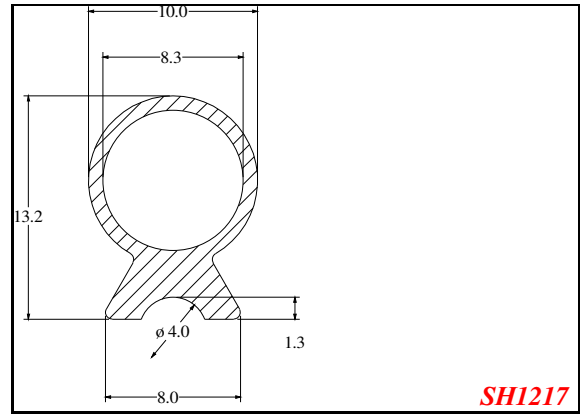
SH85



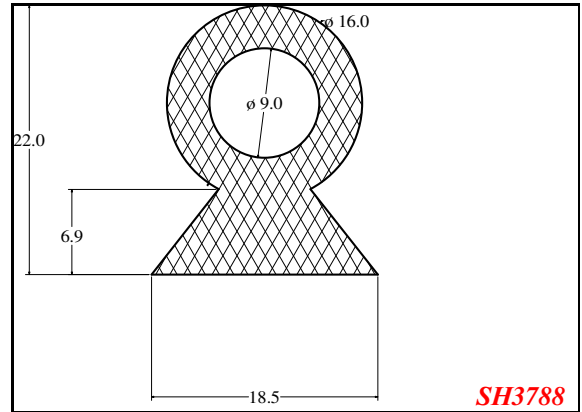
SH1962



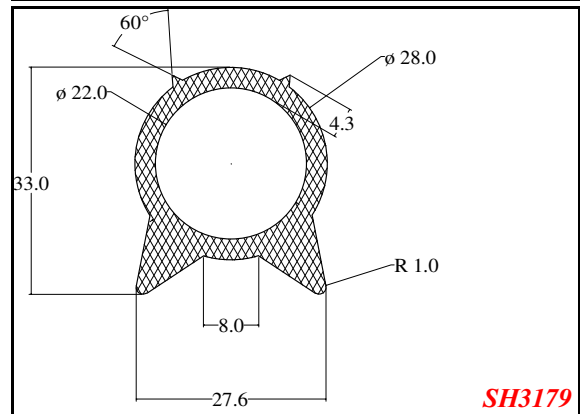
SH1274



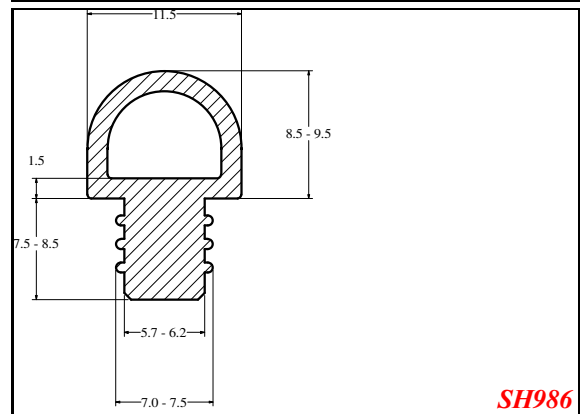
SH1217



SH3788

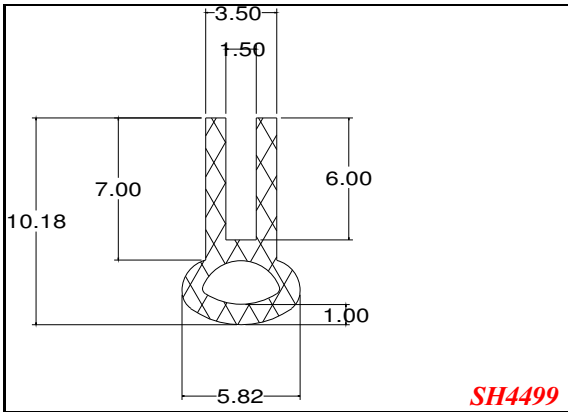


SH3179

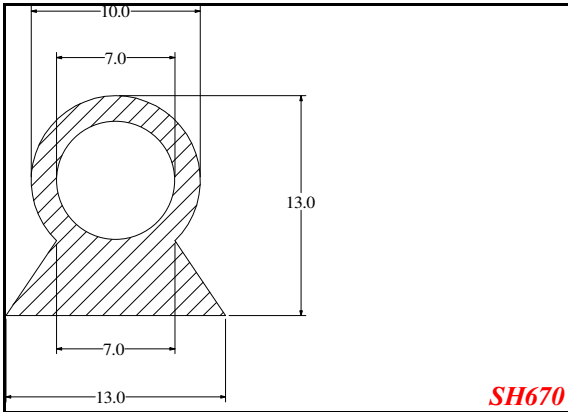


SH986

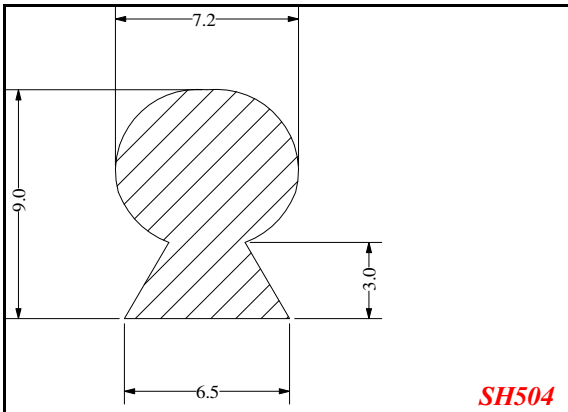
Key-Hole



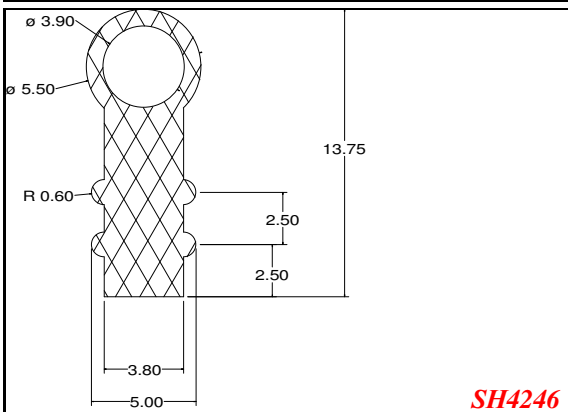
SH4499



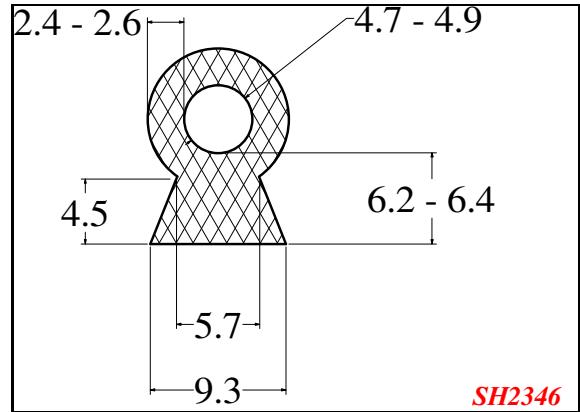
SH670



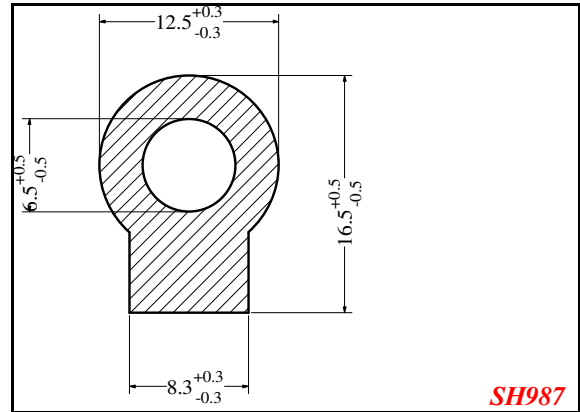
SH504



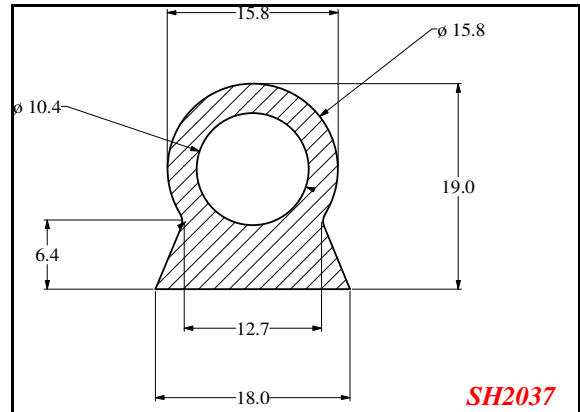
SH4246



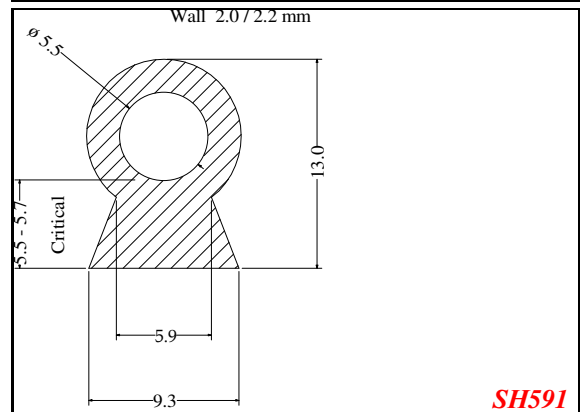
SH2346



SH987

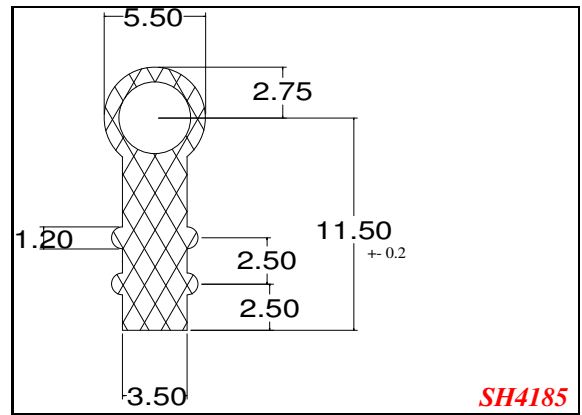
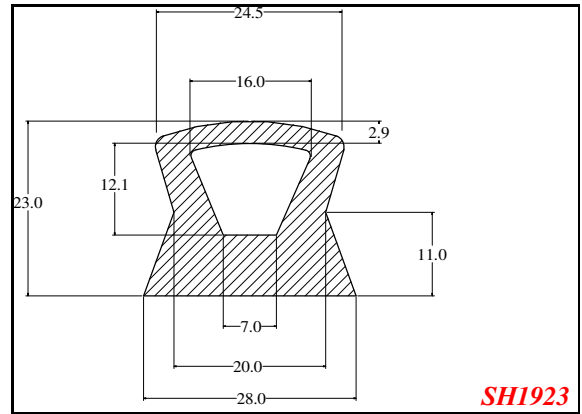
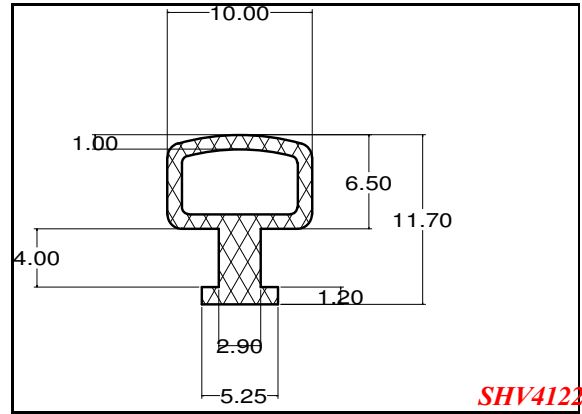
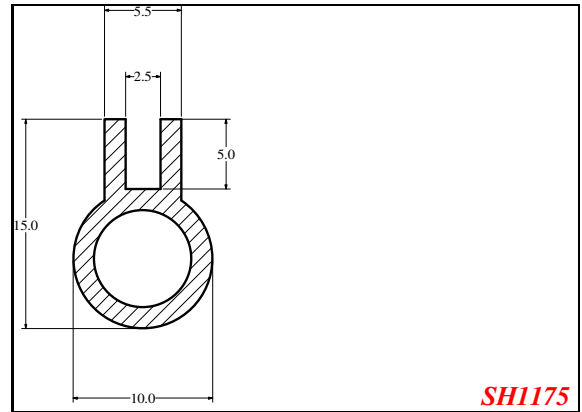
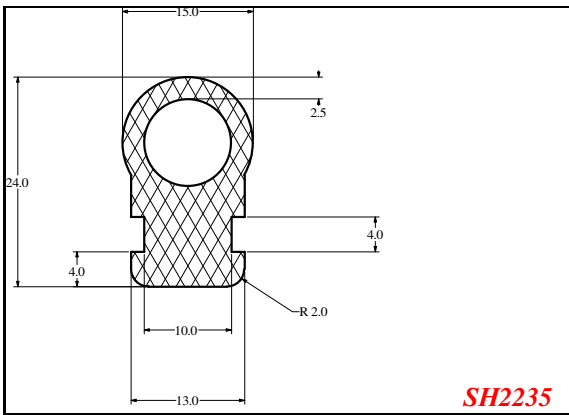
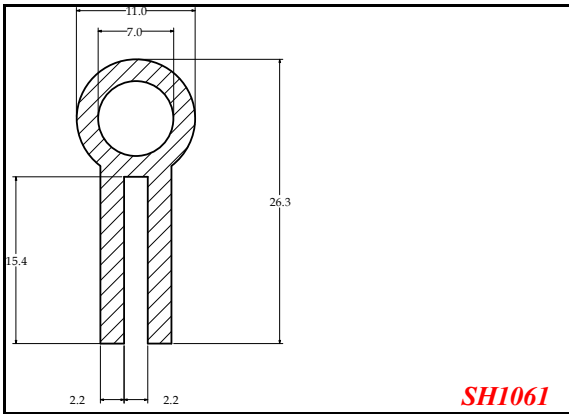
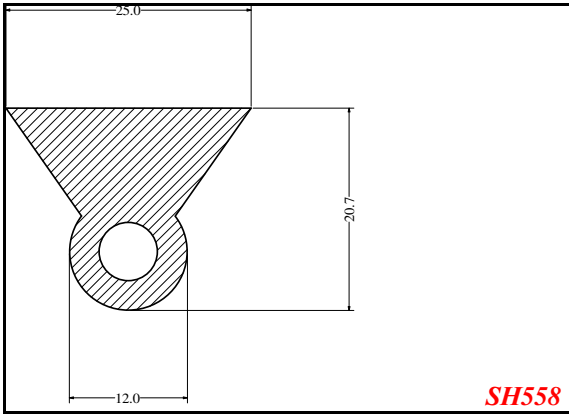
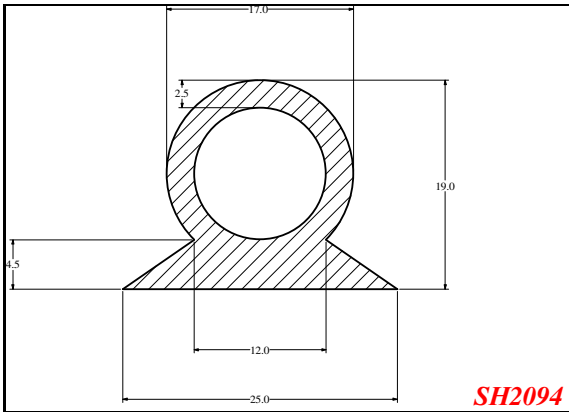


SH2037



SH591

Key-Hole



Key-Hole

